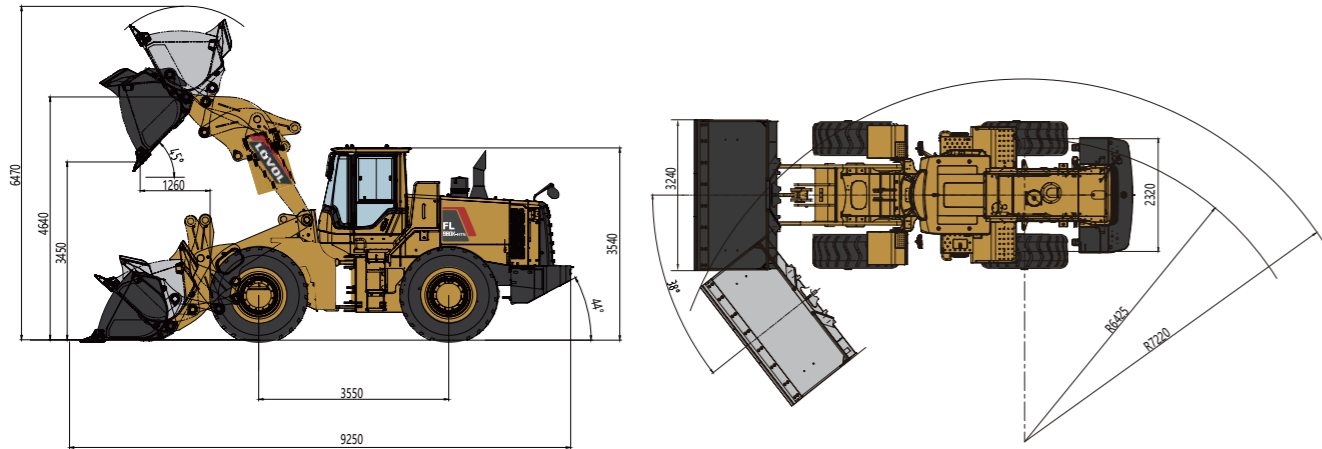


FL980K-HST Wheel Loader Specifications

LOVOL

FL980K-HST Dimensions



Item	Specifications
Rated Load	8000kg
Max. Traction Force	189kN
Max. Gradeability	30°
Max. Dump Clearance	3450mm
Dump Reach	1260mm
Wheel Tread	2320mm
Wheelbase	3550mm
Overall Dimension (L×W×H)	9250mm×3240mm×3540mm

Engine	
Emission Standard	Stage III
Number of Cylinder-Bore/Stroke	6-126x130
Max. Torque	1185N·m
Rated Speed	2200rpm
Displacement	9.726L

Transmission System	
Transmission	HST
Gear Shift	3 forward, 3 reverse
Max. Speed	36km/h

Front and Rear Axles	
Axles Type	Dry axles
Final Decelerate Type	PPlanetary reducer, spur cylindrical gear

Tyre	
Tyre Size	26.5R25/L-3
Ply	★★
Front Tyre Pressure	0.60-0.65MPa
Rear Tyre Pressure	0.55-0.6MPa

Steering System	
Type	Fix&Variable hydraulic system
Steering Angle Each Direction	37°
Min. Turning Radius	7720mm

Hydraulic System	
Working Pressure	25MPa
Boom Lifting Time	5.6s
Total Cycle Time	9.7s

Brake System	
Service Brake	Disc brake
Park Brake	Air-cut brake

Service Refill Capacity	
Fuel Tank	320L
Hydraulic Tank	200L
Engine Oil	22L



LOVOL HEAVY INDUSTRY GROUP CO., LTD.

Address: No. 75, Huanghe East Road, Huangdao District, Qingdao City, Shandong Province, China.

Website: en.wlovol.com E-mail: lovol_overseas@global.lovol.com TEL: +86-532-86907190 Facebook: Cons Lovol

As manufacturer, LOVOL has right to constantly upgrade and improve our products without informing to customers. The pictures in literatures are for reference only, the detailed specifications are subject to real products.

Engine Model	WP10G286E301
Rated Power	210kW
Operating Weight	25000kg
Bucket Capacity	5.5m ³
Max. Breakout Force	208kN

FL980K-HST

WHEEL LOADER



ENERGY-SAVING

- Chinese first 8 Ton wheel loader with energy-saving hydrostatic transmission.
- High efficiency hydrostatic transmission technology can improve fuel efficiency by 25%.
- High-efficiency powertrain system is perfectly matched with hydrostatic transmission system, improving energy efficiency.

Productivity

- Equipped with 5.2 m³ bucket which is easier to load, achieves greater fill factors and could retain more materials.
- High efficiency linkage structure is perfectly matched with hydrostatic transmission system, boom lifting time deduced from 5.8s to 5.4s, working speed and efficiency increased by 10%. The proven linkage structure is very efficient which has big breakout force, quick movement and high lifting capacity features.
- Low-effort joystick control system delivers high-efficiency operation with ease and fast.

Reliability

- The K series features many components which leverage product designs that have delivered reliable and durable machines. Adopt world class engine which provides excellent service and part availability in market. Optimized layout of pipelines and dual-seal technology can avoid oil leakage and make hydraulic system more reliable.

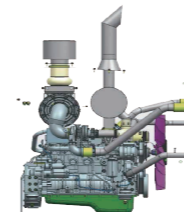
ROBUSTNESS

- Reinforced center-articulated frame which has passed million times fatigue experimental test, 1,000 hours intensive experimental test and 5,000 hours jobsite test, it has been proved to be robust and durable.
- Bucket use JF440 steel which are joint-invented with renowned steel factory, it is more robust and wearable.
- The key components of axles are reinforced which could extend service time of whole axles and makes it more suitable for heavy-duty applications.

COMFORT

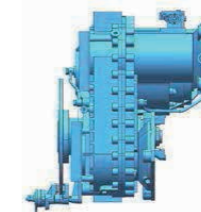
- LOVOL ETX (European Technology Excellent) cab which adopts skeleton structure, has great vision, solid frame and lower noise features, these could provide a comfortable working environment for operator.
- High-back mechanical suspension seat with headrest could make operator feel more comfortable.
- The cab has micro pressurizing air system that makes the environment much cleaner and comfortable.

01 Engine



- Standard equipped with Weichai WP10G286E301 engine which adopts electronic control high pressure common rail fuel system to realize accurate combustion control. Intelligently adjust the power curve to meet multiple working modes to reach efficient fuel saving aim. The engine cylinder adopts new reinforced design that the hardness had increased by 30%. It has great advantage in low speed & large torque conditions and it also has stable & strong power performance in high strength and long time working conditions.

02 Transmission



- Adopt hydrostatic transmission that have force shifting and automatic shifting function.
- Adopt DANFOSS hydrostatic pump and ZHUCHI transmission which are durable and reliable that can provide long service time.

03 Axles



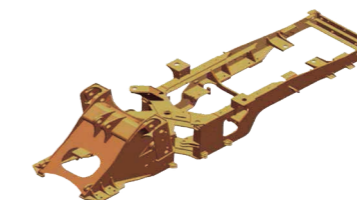
- Adopt LOVOL reinforced swing axle, the axle housing is optimized design through increasing the cross-section, the brace bearing of wheel hub is also reinforced, that make front axles capacity more higher.
- Main reducer and wheel hub are reinforced, the service lives rise 30%.

04 Cab



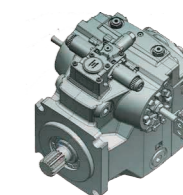
- Integrated closed skeleton structure cab which has great vision, equipped with Air conditioning and High-back mechanical suspension seat, that makes operator more comfortable.
- The cab has micro pressurizing air system that makes the environment cleaner and more comfortable.

05 Frame and Articulation



- New reinforced front and rear frames with patented composite articulated structure went through million times fatigue experimental test, 1,000 hours intensive experimental test and 5,000 hours jobsite test, reach super strong payload capacity.

06 Hydraulic System



- The hydraulic system is fix & variable system and the steering pump is piston pump with high bearing pressure and high reliability features.
- Hydraulic oil filter's filtration ratio is 200 (means 99.5% impurities could be filtered out), that makes hydraulic system cleaner and more reliable.

Attachments



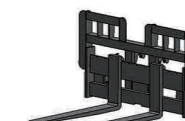
Larger Bucket



Log Grapple



Rock Bucket



Pallet Fork



Coal Bucket



Side-dump Bucket